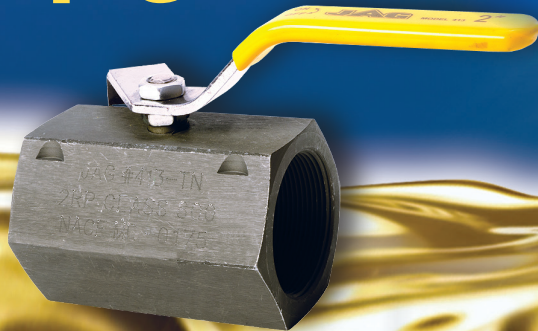
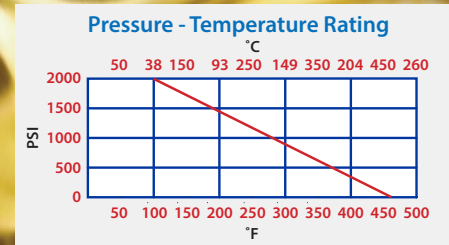


Style 413

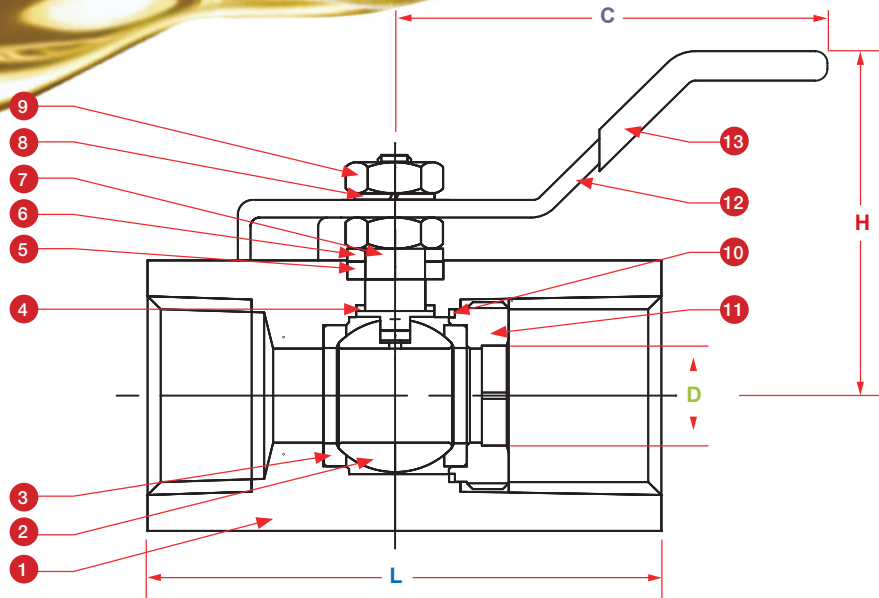


Product features

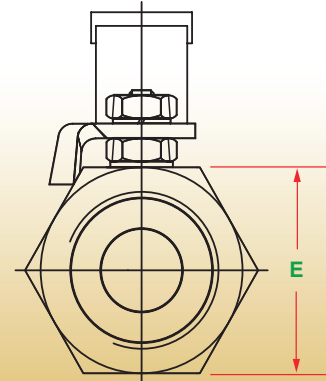
- ASME B16.34 Wall Thickness
- Hex One Piece Barstock Body
- Blowout-proof Stem
- 2000 WOG
- NPT threads to ASME B1.20.1
- Reduced Port
- NACE MR-01-75 as a Standard/ISO 15156
- Notched Body Stops for Positive Open/Close Position



NO.	PARTS	MATERIAL	QTY
1	Body	ASTMA105N	1
2	Ball	A351 CF8M (316 SS)	1
3	Seats	RPTFE (teflon)	2
4	Thrust Washer	PTFE (teflon)	1
5	Packing	PTFE (teflon)	1
6	Gland	Stainless Steel	1
7	Stem	316 SS	1
8	Washer	Stainless Steel	1
9	Handle Nut	Stainless Steel	1
10	Gasket	PTFE (teflon)	1
11	Seat Retainer	A105N	1
12	Handle	Stainless Steel	1
13	Handle Grip	Plastic	1



Size		L		H		C		D		E		Weight.	
inch	mm	inch	mm	inch	mm	inch	mm	inch	mm	inch	mm	lbs.	kg.
1/4"	6.4	1.7	43.2	1.3	31.8	2.6	66.7	0.20	5	0.8	21	0.26	0.12
3/8"	9.5	1.9	47.2	1.3	33.9	2.6	66.7	0.28	7	1.0	25.4	0.42	0.19
1/2"	12.7	2.5	62.5	2.2	55.5	4.6	118	0.36	9.2	1.2	30	0.73	0.33
3/4"	19.1	2.8	69.9	2.3	59.0	4.6	118	0.49	12.5	1.4	36	1.21	0.55
1"	25.4	3.4	85.9	2.6	65.4	4.7	120	0.63	16	1.8	46	2.11	0.96
1-1/4"	32	3.7	93.7	2.9	74.0	5.7	146	0.79	20	2.2	55	3.08	1.4
1-1/2"	38.1	4.0	101.6	3.1	78.7	5.7	146	0.96	24.5	2.4	61	3.74	1.7
2"	50.8	4.5	114.3	4.7	120	6.0	152.5	1.26	32	3.0	75	6.16	2.8



JAG Flocomponents Ltd.
 4123 - 53rd Avenue NW
 Edmonton, AB, CANADA T6B 3R5
 Ph: 780.485.2333 • Fax: 780.485.2316
 Email: info@jagflo.com • www.jagflo.com



JAG reserves the right to change design, materials or specifications without notice and free of obligation to furnish or install such changes on products previously sold.

