

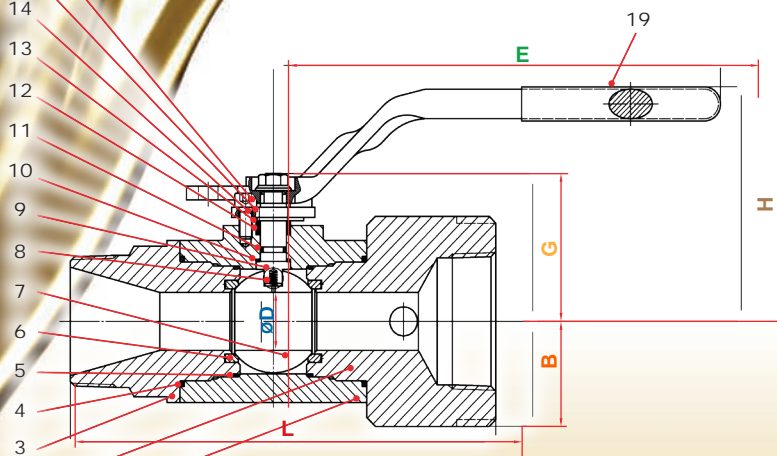
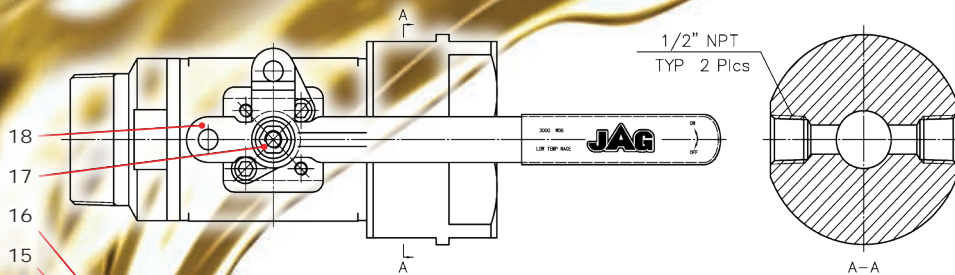
Isolation Valve

2" FNPT x 2" MNPT 3000 PSI



13 Product design features

- Threaded 3pc Forged Construction, Venturi Port
- Blow Out Proof Stem
- Lockable Handle
- Bidirectional Shutoff
- Dual Stem Seals
- Antistatic
- Robust Steel Handle
- 2 x 1/2" NPT Accessory Ports
- Meets ANSI B16.34
- Firesafe to API 607
- Certified to API 641 Low Emissions
- NACE MR0175
- Other End Connections Available



NO.	PARTS	NLT	QTY
1	BODY	LF2	1
2	CAP	LF2	1
3	CAP	LF2	1
4	GASKET	GRAPHITE	2
5	O-RING	VITON GLT	2
6	SEAT	TFM	2
7	BALL	CF8M	1
8	SPRING	304	1
9	STEM	17-4PH	1
10	THRUST WASHER	TFM	1
11	O-RING	VITON GLT	1
12	PACKING	GRAPHITE	1
13	PACKING FOLLOW	304	1
14	BELLEVILLE WASHER	65Mn	1
15	GLAND FLANGE	WCB	1
16	BOLT	A2-70	2
17	STEM NUT	c/s P	1
18	HANDLE	1035	1
19	GRIP	PLASTIC	1

SIZE		øD		L		H		E		B		G	
in	RP	in	mm	in	mm	in	mm	in	mm	in	mm	in	mm
2"	RP	1.00	25.4	7.72	196.0	4.06	103.0	8.46	215.0	1.81	46.0	2.64	67.0

JAG Flocomponents Ltd.
 4123 - 53rd Avenue NW
 Edmonton, AB, CANADA T6B 3R5
 Ph: 780.485.2333 • Fax: 780.485.2316
 Email: info@jagflo.com • www.jagflo.com



JAG reserves the right to change design, materials or specifications without notice and free of obligation to furnish or install such changes on products previously sold.

