

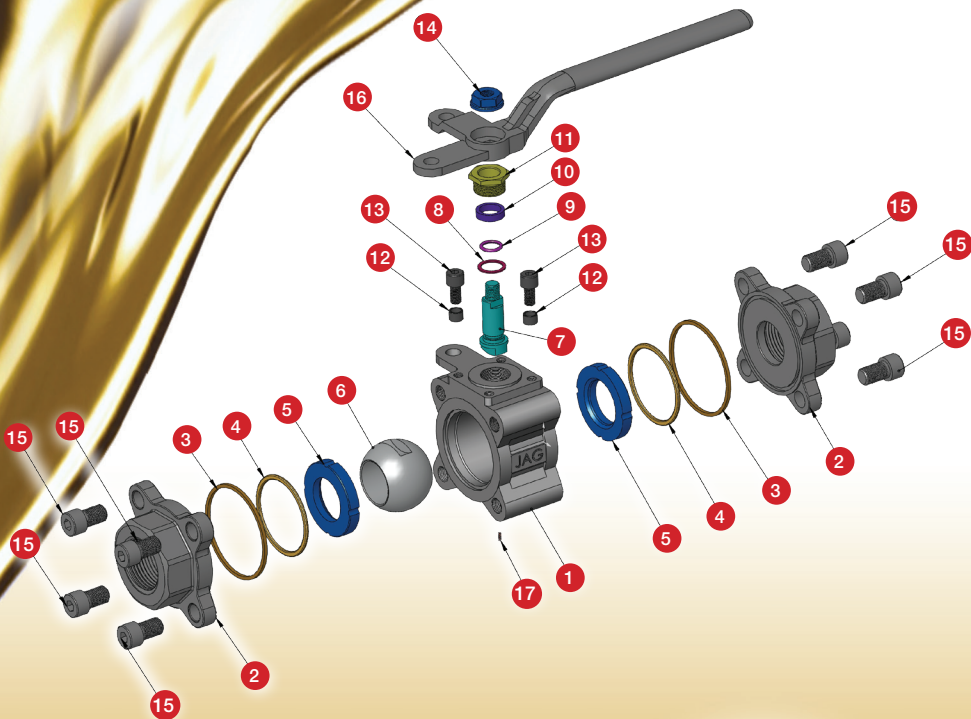
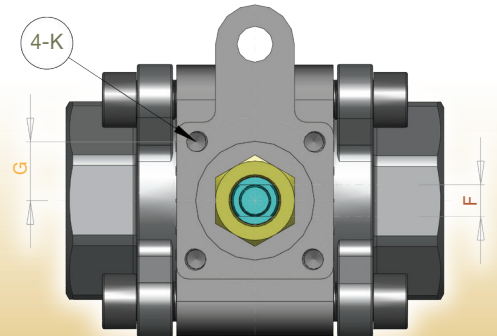
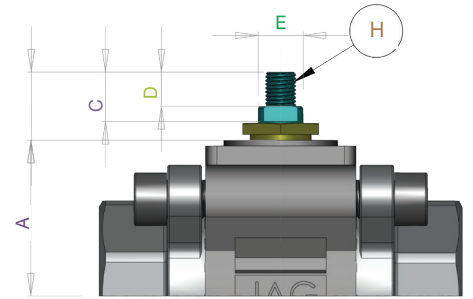
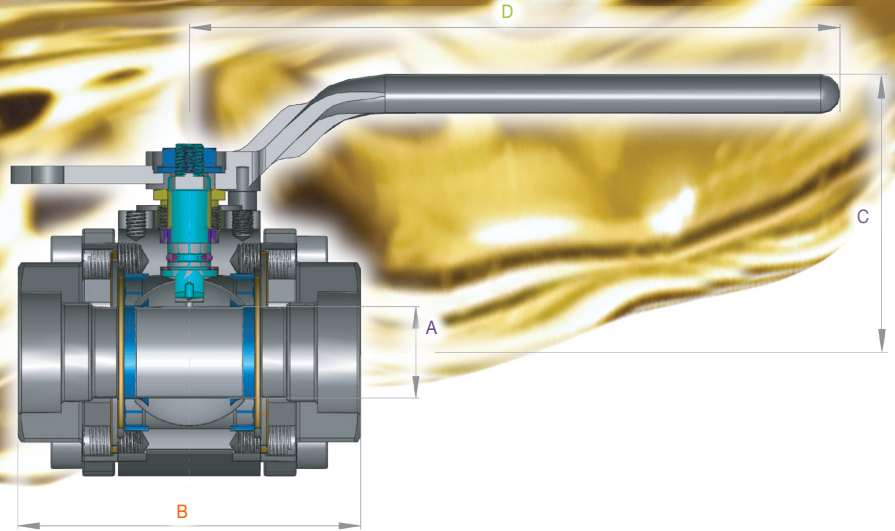
B3 Class 900 NPT / SW Ends

WCB/LCC ▶ 2220 PSI CF8M ▶ 2160 PSI



Product features

- Bolted 3-Piece Construction
- Swing Out Body Design
- Fully Enclosed Body Bolts
- Full Port
- NPT or SW End Connections
- ASME B16.34 (Latest Revision)
- NACE MR0175 (Latest Revision)
- Anti-static Design
- Blow Out Proof Stem
- Locking Device
- Dual Stem Seal
- Fire Safe API 607 Rev. 6
- ISO 9001 (Latest Revision)
- API 598 (Latest Revision)
- ISO 15156 (Latest Revision)



JAG Flocomponents Ltd.
4123 - 53rd Avenue NW
Edmonton, AB, CANADA T6B 3R5
Ph: 780.485.2333 • Fax: 780.485.2316
Email: info@jagflo.com • www.jagflo.com



JAG reserves the right to change design, materials or specifications without notice and free of obligation to furnish or install such changes on products previously sold.



B3 Break Torques & Mounting Pattern

B3 Class 900 Break Torque Data			
*Torque	PSI	2220	
	ASME Class	900	
	Seat Material	in/lbs	N-M
1/4" FP	RTFE	53	6
3/8" FP	RTFE	53	6
1/2" FP	RTFE	53	6
3/4" FP	RTFE	70	8
1" FP	RTFE	88	10
1-1/4" FP	RTFE	416	47
1-1/2" FP	RTFE	416	45
2" FP	RTFE	602	68

*All above torques are based upon clean liquid service. Factors such as temperature, number of cycles and media will effect torque and may require additional safety factors.

B3 BOM						
NO.	PARTS	QTY	SERVICE			
			STANDARD	NACE	LOW TEMP NACE	STAINLESS STEEL
1	Body	1	WCB	WCB	LCC	CF8M
2	Cap	2	WCB	WCB	LCC	CF8M
3	Gasket	2	Graphite	Graphite	Graphite	Graphite
4	O-ring	2	NBR	Viton	Viton	Viton
5	Seat	2	RTFE	RTFE	RTFE	RTFE
6	Ball	1	CF8M	CF8M	CF8M	CF8M
7	Stem	1	4130	316 SS	316 SS	316 SS
8	Thrust Washer	1	RTFE	RTFE	RTFE	RTFE
9	O-ring	1	NBR	Viton	Viton	Viton
10	Packing	1	Graphite	Graphite	Graphite	Graphite
11	Gland	1	304 SS	304 SS	304 SS	304 SS
12	Washer	2	304 SS	304 SS	304 SS	304 SS
13	Bolt	2	A2-70	A2-70	A2-70	A2-70
14	Stem Nut	1	Carbon Steel Plated	Carbon Steel Plated	Carbon Steel Plated	304 SS
15	Cap Screw	8	A193-B7	A193-B7M	A320-L7M	A193-B8
16	Handle	1	WCB	WCB	WCB	CF8
17	Anti-Static Spring	1	SS	SS	SS	SS

B3 Dimensions														
Size		Bore	A		B		C		D		E		Weight.	
inch	mm	FP	inch	mm	inch	mm	inch	mm	inch	mm	inch	mm	lbs.	kg.
1/4"	6.4	FP	0.05	12.7	2.9	73	2.7	68	5.9	150	1.8	46.5	2	1
3/8"	9.5	FP	0.05	12.7	2.9	73	2.7	68	5.9	150	1.8	46.6	2	1
1/2"	12.7	FP	0.05	12.7	2.9	73	2.7	68	5.9	150	1.8	46.7	2	1
3/4"	19.1	FP	0.75	19.05	3	78	2.9	72.5	5.9	150	2	51	3	1.4
1"	25.4	FP	1	25.4	3.8	98	3	76	7.1	180	2.4	60	5.3	2.4
1-1/4"	32	FP	1.5	38	4.8	122	3.9	98.5	9.3	237	3.2	81	—	—
1-1/2"	38.1	FP	1.5	38	5.4	137	3.9	98.5	9.3	237	3.2	81	12.3	5.6
2"	50.8	FP	2	50	5.8	148	4.2	107.5	9.3	237	3.5	90	21	9.5

Dimensions +/- 0.059 in (+/- 1.5mm)

B3 Top Works

Top Works																	
Bore	A		B		C		D		E		F		G		H	K	ISO 5211
	inches	mm	inches	mm	inches	mm	inches	mm	inches	mm	inches	mm	inches	mm	mm	mm	Mounting
1/2"	1.28	32.5	0.59	15	0.41	10.5	0.28	7	0.39	10	0.26	6.5	0.45	11.3	M6x1	M5X 0.8-6H	--
3/4"	1.38	35.0	0.62	15.8	0.41	10.5	0.28	7	0.39	10	0.26	6.5	0.45	11.3	M6x1	M5X 0.8-6H	--
1"	1.61	41.0	0.75	19	0.51	13.0	0.35	9	0.47	12	0.33	8.5	0.58	14.8	M8x1.25	M6X1-6H	--
1-1/2"	2.21	56.0	0.98	25	0.71	18.0	0.43	11	0.59	15	0.43	11	0.70	17.7	M10x1.5	M6X1-6H	F05
2"	2.56	65.0	0.98	25	0.71	18.0	0.43	11	0.59	15	0.43	11	0.70	17.7	M10x1.5	M6X1-6H	F05

