

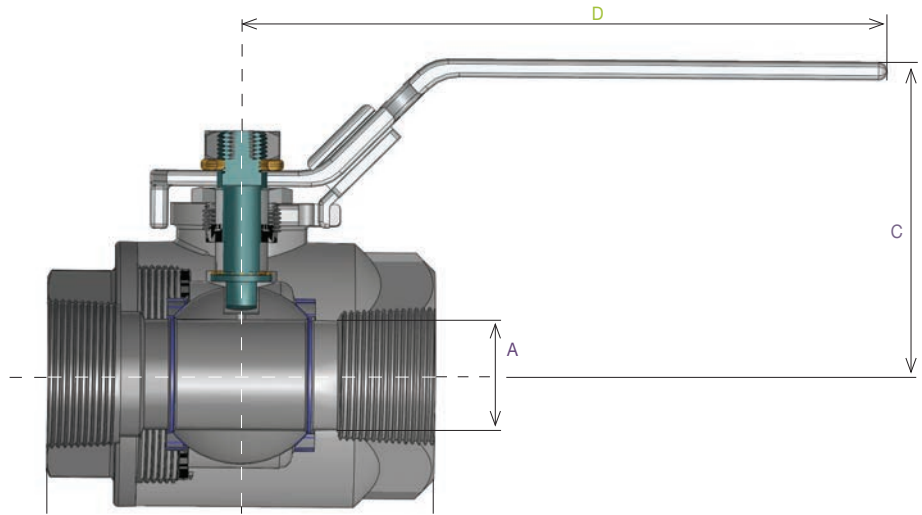
# T2/T2W Class 900

WCB/LCC ▶ 2220 PSI    CF8M ▶ 2160 PSI



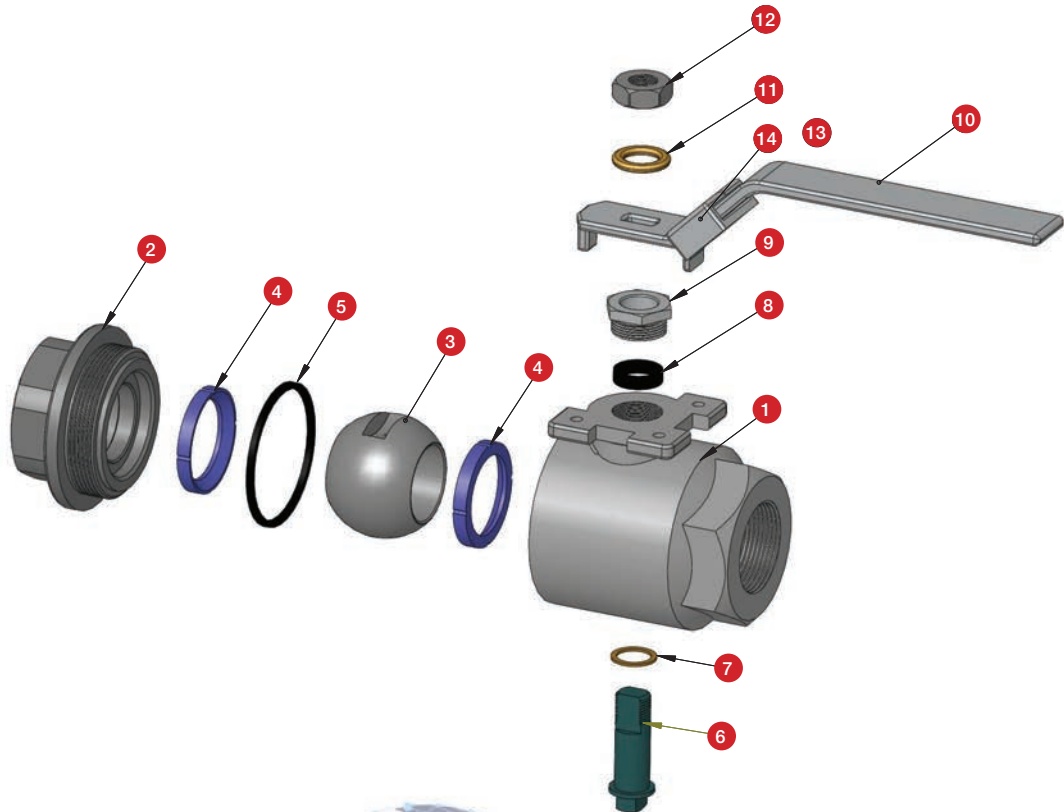
## T2 Product features

- 2-Piece Threaded Body
- Full or Reduced Port
- ASME B16.34
- API 608
- NACE MR0175
- Blow Out Proof Stem
- Locking Handle
- Fire Safe to API 607
- API 598



## T2W Product features

- 2-Piece Fully Seal Welded
- Full or Reduced Port
- ASME B16.34
- API 608
- NACE MR0175
- Blow Out Proof Stem
- Locking Handle
- Fire Safe to API 607
- API 598



JAG Flocomponents Ltd.  
4123 - 53rd Avenue NW  
Edmonton, AB, CANADA T6B 3R5  
Ph: 780.485.2333 • Fax: 780.485.2316  
Email: info@jagflo.com • www.jagflo.com



JAG reserves the right to change design, materials or specifications without notice and free of obligation to furnish or install such changes on products previously sold.



T2 & T2W Dimensions												
Size		Bore	A		B		C		D		Weight	
in	mm		in	mm	in	mm	in	mm	in	mm	lbs.	kg.
1/4"	6.4	FP	0.43	11.00	2.65	67.31	2.24	57.00	5.00	127.00	1	.45
3/8"	9.5	FP	0.43	11.00	2.65	67.31	2.24	57.00	5.00	127.00	1.2	.54
1/2"	12.7	RP	0.43	11.00	2.65	67.31	2.24	57.00	5.00	127.00	1.2	.54
3/4"	19.1	RP	0.59	15.01	3.08	78.23	2.38	60.40	5.00	127.00	1.6	.73
		FP	0.79	19.99	3.08	78.23	2.95	75.01	5.83	147.90	1.6	.73
1"	25.4	RP	0.79	19.99	3.54	89.92	2.95	75.01	5.83	147.90	2.75	1.2
		FP	1.00	25.40	3.54	89.92	3.09	78.41	5.83	147.90	2.75	1.2
1 1/4"	32	RP	1.00	25.40	4.01	101.85	3.09	77.00	5.83	147.90	4	1.8
1 1/2"	38.1	RP	1.26	32.00	4.26	108.20	3.73	94.69	8.19	207.90	6	2.7
		FP	1.50	38.00	4.72	119.89	3.96	100.61	8.19	207.90	6	2.7
2"	50.8	RP	1.50	38.00	4.94	125.48	3.96	100.61	8.19	207.90	9.2	4.2
		FP	2.00	50.80	5.51	140.00	4.42	112.19	10.15	257.81	9.2	4.2

T2 & T2W 900 BOM					
NO.	PARTS	QTY	NACE	LOW TEMP NACE	STAINLESS STEEL
1	Body	1	WCB	LCC	CF8M
2	End Cap	1	WCB	LCC	CF8M
3	Ball	1	CF8M	CF8M	CF8M
4	Seat	2	RTFE	RTFE	RTFE
5	Gasket	1	Graphite	Graphite	Graphite
6	Stem	1	316 SS	316 SS	316 SS
7	Thrust Washer	1	RTFE	RTFE	RTFE
8	Stem Packing	1	Graphite	Graphite	Graphite
9	Packing Nut	1	304 SS	304 SS	304 SS
10	Handle	1	304 SS	304 SS	304 SS
11	Lock Washer	1	304 SS	304 SS	304 SS
12	Stem Nut	1	304 SS	304 SS	304 SS
13	Locking Device	1	304 SS	304 SS	304 SS

