



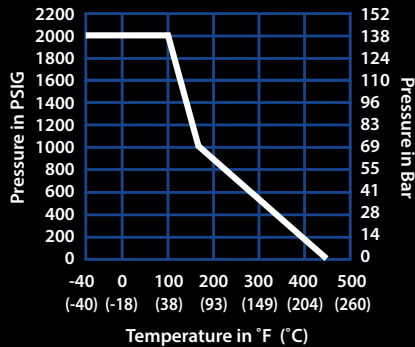
Style C2-ESR

Product features

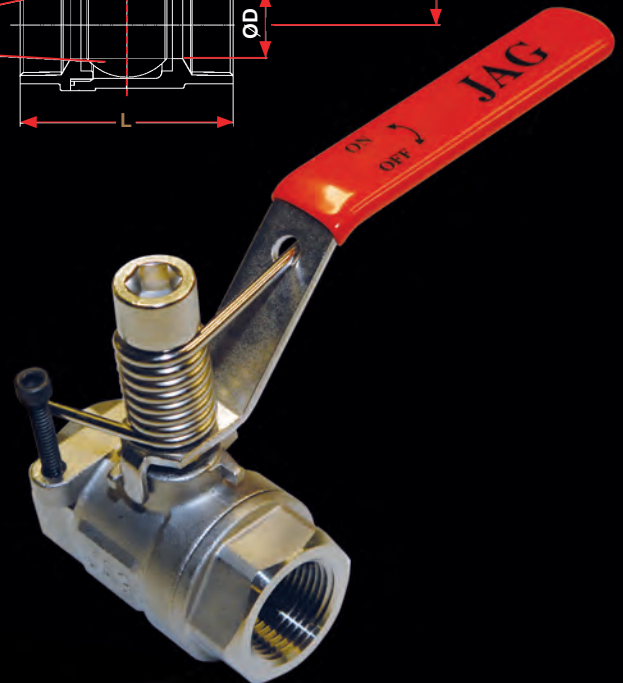
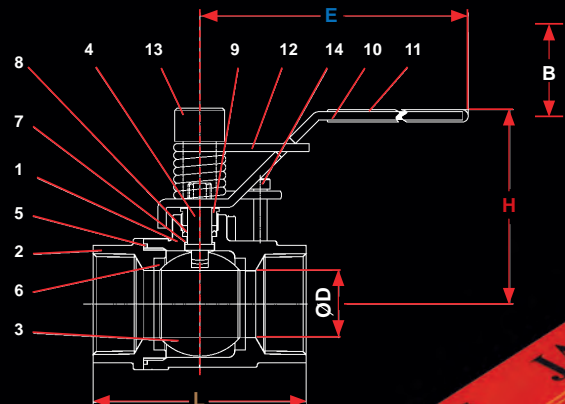
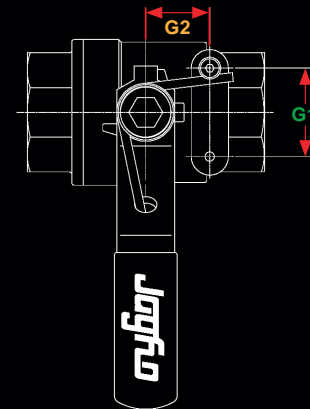
- 2000 WOG Regular Port Ball Valve • Threaded Two-piece 316 SS Body Design
- 316 SS (Nace) Trim • NPT Ends • Chrome-plated Exposed Spring

NO.	PARTS	MATERIAL	QTY
1	BODY	CF8M	1
2	ENDCAP	CF8M	1
3	BALL	SS 316	1
4	STEM	SS 316	1
5	BODY SEAL	PTFE	1
6	SEAT	RPTFE	2
7	STEM SEAL	PTFE	1
8	STEM PACKING	PTFE	1
9	GLAND NUT	SS 304	1
10	HANDLE	SS 304	1
11	HANDLE SLEEVE	VINYL	1
12	SPRING	STEEL	1
13	BOLT	STEEL	1
14	STOPPER BOLT	STEEL	1

Standard Pressure Vs Temperature Ratings



SIZE	ØD	E	H	L	G1	G2
in	mm	mm	mm	mm	mm	mm
1/4	9.5	118	61	52	28	12.7
3/8	9.5	118	61	52	28	12.7
1/2	12.7	118	64	62	28	12.7
3/4	15.0	138	85	69	35	22.4
1	20.0	138	89	84	35	22.4
1 1/4	25.0	179	86.5	90	38.1	25.4
1 1/2	32.0	179	91.5	104	38.1	25.4
2	38.0	216	105	117	38.1	25.4



JAG flocomponents LP
 4123 - 53rd Avenue NW, Edmonton, AB, CANADA T6B 3R5
 Ph: 780.485.2333 • Fax: 780.485.2316
 Email: info@jagflo.com • www.jagflo.com

JAG reserves the right to change design, materials or specifications without notice and free of obligation to furnish or install such changes on products previously sold.

