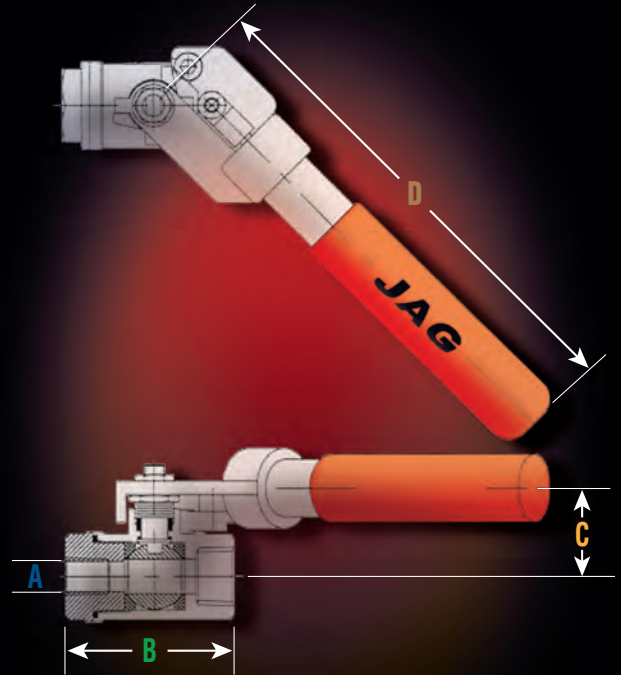




Hidden Spring Return Handle Kit

		HSR-050				HSR-075		HSR-010	
SIZE		1/4" FP	3/8" FP	1/2" FP	3/4" RP	3/4" FP	1" RP	1" FP	1-1/2" RP
A	mm	12.7	12.7	12.7	12.7	19	19	25.4	25.4
	in	0.50	0.50	0.50	0.50	0.75	0.75	1.00	1.00
B (NPT)	mm	98	98	98	111	107.9	114.3	133.3	163.3
	in	3.86	3.86	3.86	4.37	4.25	4.50	5.25	6.43
B (SW)	mm	127	127	127	172	172	172	172	217
	in	5	5	5	6.75	6.75	6.75	6.75	8.5
B (NPT*SW)	mm	112.5	112.5	112.5	141.5	140.0	143.0	152.5	190.0
	in	4.44	4.44	4.44	5.57	5.50	5.63	6.00	7.46
C	mm	41.90	41.90	41.90	41.90	55.37	55.37	58.42	58.42
	in	1.65	1.65	1.65	1.65	2.18	2.18	2.30	2.30
D	mm	241.30	241.30	241.30	241.30	280.67	280.67	280.67	280.67
	in	9.50	9.50	9.50	9.50	11.05	11.05	11.05	11.05



Product Features:

- Hidden Spring Design (Inside the Handle)
- Adjustable Spring
- Direct Mount to JAG 3000 PSI (Class 1500) Ball Valves
- Stainless Steel Construction
- Low Profile, Maintains Standard Stem Height
- Optional Spring to Open Design

No	PART	MATERIAL
1	JAG Valve Body	Per Request
2	JAG Handle Nut	Per Request
3	Spring Handle Holder	A351 CF8
4	Hex Bolt	A193 Gr. 8
5	Spring Connector	A193 Gr. 8
6	Handle	AISI 304
7	Hex Socket Screws	A193 Gr. 8
8	Handle Connector	A351 CF8
9	Internal Spring	SUS 304
10	Spring Washer	AISI 304
11	Spring Nut	A193 Gr. 8
12	Spring Retension Bar	AISI 304
13	Handle Sleeve	Vinyl



JAG flocomponents LP
 4123 - 53rd Avenue NW, Edmonton, AB, CANADA T6B 3R5
 Ph: 780.485.2333 • Fax: 780.485.2316
 Email: info@jagflo.com • www.jagflo.com



JAG reserves the right to change design, materials or specifications without notice and free of obligation to furnish or install such changes on products previously sold.

Printed in Canada
 04/2015/500Qty