

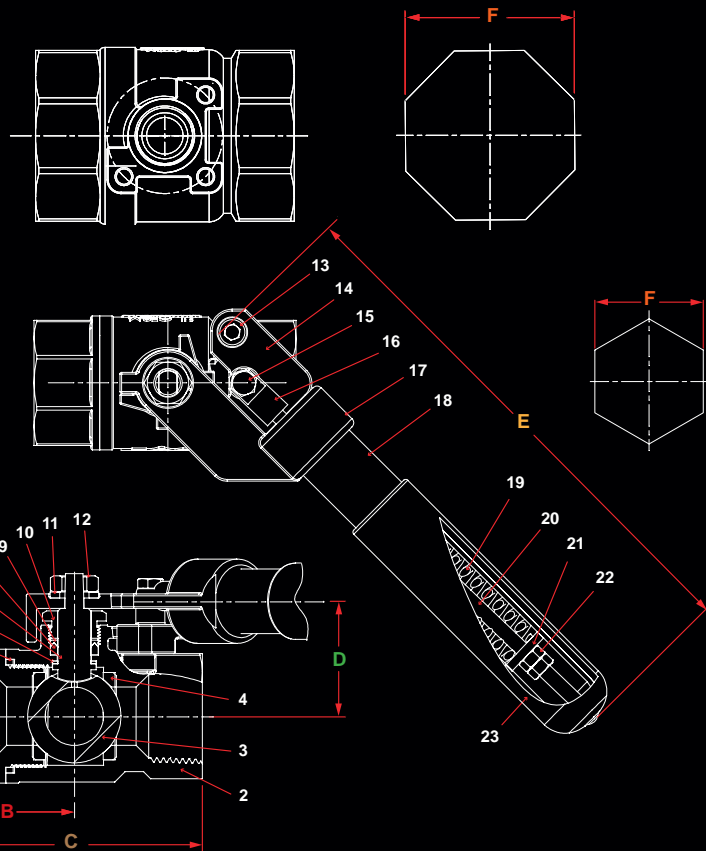


Style C2-HSR

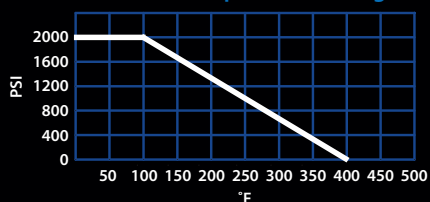
Product features

- 2000 WOG Regular Port Ball Valve
- Threaded Two-piece 316 SS Body Design
- NPT Ends
- Hidden Spring Return (inside the handle)

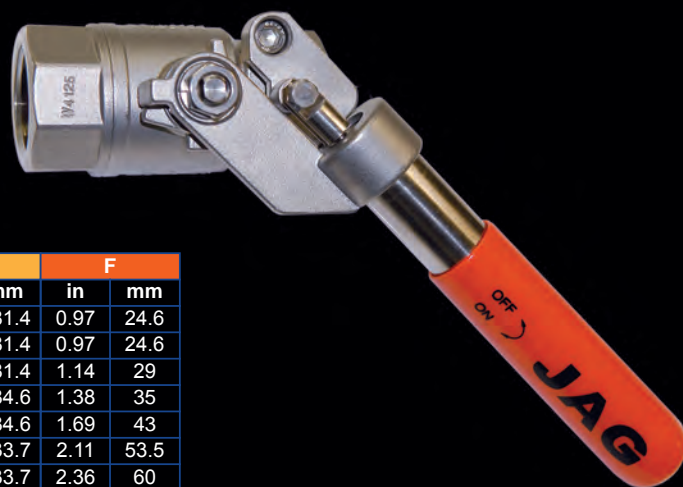
| NO. | PARTS | MATERIAL | QTY |
|-----|------------------|--------------|-----|
| 1 | CAP | CF 8M | 1 |
| 2 | BODY | CF 8M | 1 |
| 3 | BALL | CF 8M | 1 |
| 4 | BALL SEAT | PTFE + 15%GF | 1 |
| 5 | JOINT GASKET | PTFE | 1 |
| 6 | THRUST WASHER | PTFE + 15%GF | 1 |
| 7 | STEM | AISI 316 | 1 |
| 8 | STEM PACKING | PTFE + 15%GF | 1 |
| 9 | STEM PACKING | PTFE + 15%GF | 1 |
| 10 | GLAND NUT | A194 Gr.8 | 1 |
| 11 | SPRING WASHER | AISI 304 | 1 |
| 12 | STEM NUT | A194 Gr.8 | 1 |
| 13 | SCREWS | A194 Gr.8 | 2 |
| 14 | HANDLE'S HOLDER | A351 CF8 | 1 |
| 15 | HEX BOLTS | A194 Gr.8 | 1 |
| 16 | SPRING CONNECTOR | A194 Gr.8 | 1 |
| 17 | HANDLE CONNECTOR | A351 CF8 | 1 |
| 18 | HANDLE | AISI 304 | 1 |
| 19 | SPRING | AISI 304 | 1 |
| 20 | THREADED BAR | AISI 304 | 1 |
| 21 | SPRING WASHER | AISI 304 | 1 |
| 22 | NUT | A194 Gr.8 | 2 |
| 23 | HANDLE COVER | Plastic | 1 |



Pressure - Temperature Rating



| SIZE | | A | | B | | C | | D | | E | | F | |
|--------|------|------|------|------|------|------|------|------|----|----|-------|------|------|
| in | mm | in | mm | in | mm | in | mm | in | mm | in | mm | in | mm |
| 1/4" | 6.4 | 0.38 | 9.6 | 1.18 | 30 | 2.4 | 61.2 | 1.14 | 29 | 7 | 181.4 | 0.97 | 24.6 |
| 3/8" | 9.5 | 0.38 | 9.6 | 1.18 | 30 | 2.4 | 61.2 | 1.14 | 29 | 7 | 181.4 | 0.97 | 24.6 |
| 1/2" | 12.7 | 0.50 | 12.5 | 1.44 | 36.5 | 2.56 | 65 | 1.18 | 30 | 7 | 181.4 | 1.14 | 29 |
| 3/4" | 19.1 | 0.59 | 15 | 1.51 | 38.5 | 2.95 | 75 | 1.46 | 37 | 7 | 184.6 | 1.38 | 35 |
| 1" | 25.4 | 0.79 | 20 | 1.81 | 46 | 3.54 | 90 | 1.57 | 40 | 7 | 184.6 | 1.69 | 43 |
| 1 1/4" | 32.0 | 0.98 | 25 | 1.87 | 47.5 | 3.74 | 95 | 2.17 | 55 | 9 | 233.7 | 2.11 | 53.5 |
| 1 1/2" | 38.1 | 1.25 | 32 | 1.97 | 50 | 3.94 | 100 | 2.36 | 60 | 9 | 233.7 | 2.36 | 60 |
| 2" | 50.8 | 1.50 | 38.1 | 2.2 | 56 | 4.41 | 112 | 2.60 | 66 | 9 | 233.7 | 2.91 | 74 |



JAG flocomponents LP
 4123 - 53rd Avenue NW, Edmonton, AB, CANADA T6B 3R5
 Ph: 780.485.2333 • Fax: 780.485.2316
 Email: info@jagflo.com • www.jagflo.com



JAG reserves the right to change design, materials or specifications without notice and free of obligation to furnish or install such changes on products previously sold.

Printed in Canada
 04/2015/500Qty