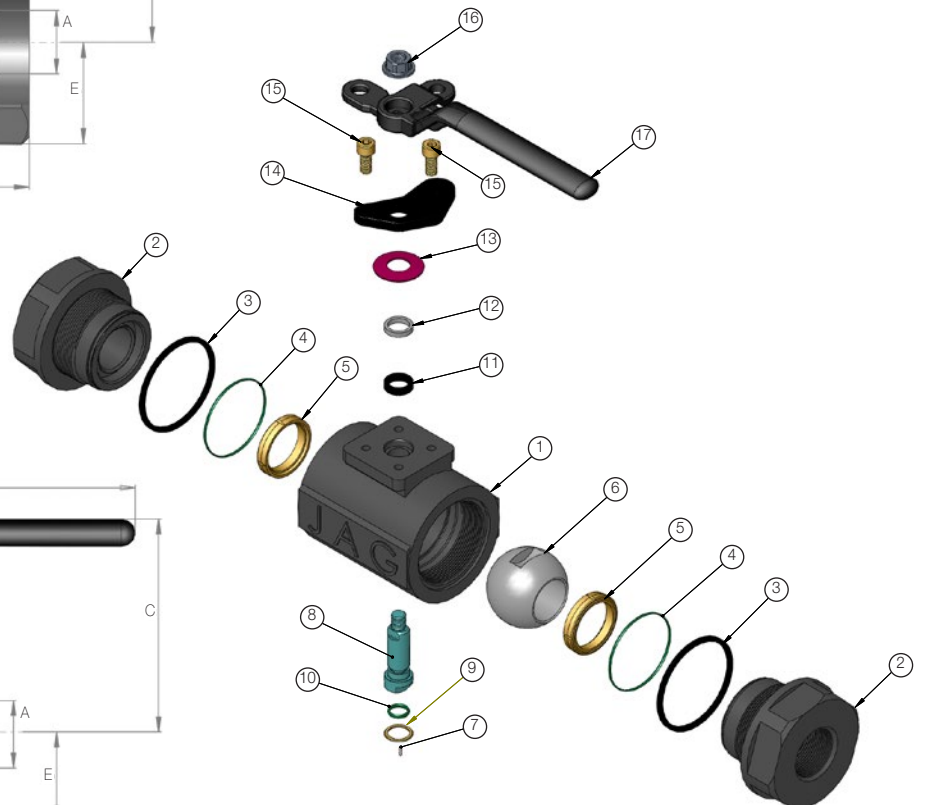
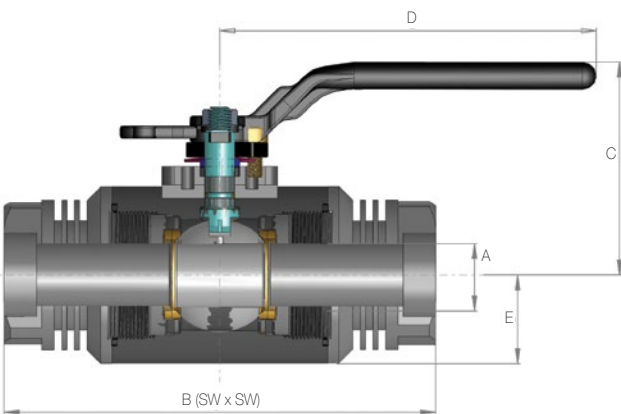
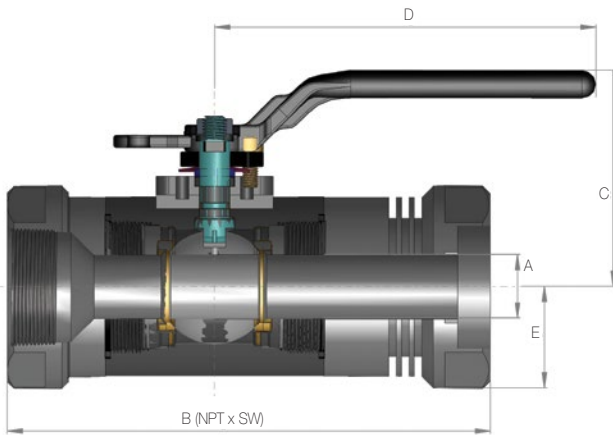
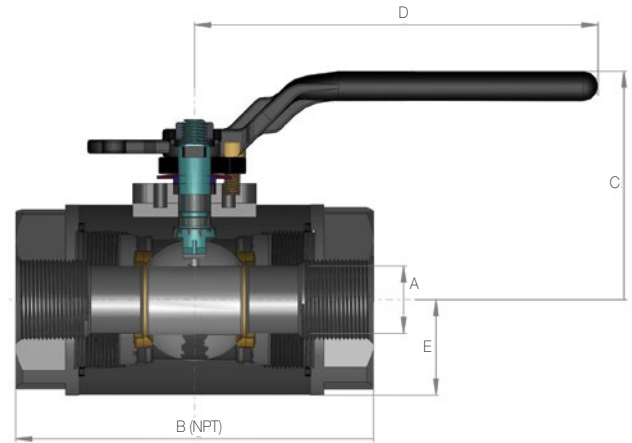


T3 class 1500 NPT/NPTxSW/SW/BW Ends A105/LF2 → 3705 PSI A182-F316 → 3600 PSI

Product Features

- Forged Body and End Closures
- 3 Piece Threaded Construction
- In-line Weldable
- Dual Stem Seal
- Full or Reduced Port
- ASME B16.34
- NACE MR0175/ISO 15156
- Blow-out Proof Stem
- Anti-static Design
- NPT Ends to ASME B1.20.1
- SW Ends to ASME B16.11
- BW Ends to ASME 16.25
- Fire Safe to API 607
- Locking Handle
- CE marking / PED to 97/23/EC
- API 598



T3 NPT 1500 BOM						
No.	PART	QTY	STYLE / SERVICE			
			STANDARD	NACE	LOW TEMP NACE	STAINLESS STEEL
1	Body	1	A105	A105N	A350-LF2	A182-F316
2	End Cap	2	A105	A105N	A350-LF2	A182-F316
3	Gasket	2	Graphite	Graphite	Graphite	Graphite
4	O-Ring	2	BUNA	Viton	Viton	Teflon
5	Seat	2	*TFM	*TFM	*TFM	*TFM
6	Ball	1	304 SS	316 SS	316 SS	316 SS
7	Anti-Static Spring	1	304 SS	304 SS	304 SS	304 SS
8	Stem	1	AISI 4140	17-4 ph	17-4 ph	316 SS
9	Thrust Washer	1	TFM	TFM	TFM	TFM
10	O-Ring	1	BUNA	Viton	Viton	Teflon
11	Stem Packing	1	Graphite	Graphite	Graphite	Graphite
12	Packing Follower	1	304 SS	304 SS	304 SS	304 SS
13	Belleville Washer	1	304 SS	304 SS	304 SS	304 SS
14	Gland Flange	1	WCB	WCB	WCB	304 SS
15	Gland Bolt	2	Stainless Steel	Stainless Steel	Stainless Steel	Stainless Steel
16	Handle Nut	1	CS Coated	CS Coated	CS Coated	304 SS
17	Handle	1	CS Coated	CS Coated	CS Coated	304 SS

T3 SW & SW x NPT CLASS 1500 BOM						
No.	PART	QTY	STYLE / SERVICE			
			STANDARD	NACE	LOW TEMP NACE	STAINLESS STEEL
1	Body	1	A105	A105N	A350-LF2	A182-F316
2	End Cap	2	A105	A105N	A350-LF2	A182-F316
3	Gasket	2	Graphite	Graphite	Graphite	Graphite
4	O-Ring	2	Viton	Viton	Viton	Teflon
5	Seat	2	TFM	TFM	TFM	TFM
6	Ball	1	304 SS	316 SS	316 SS	316 SS
7	Anti-Static Spring	1	304 SS	304 SS	304 SS	304 SS
8	Stem	1	AISI 4140	17-4 ph	17-4 ph	17-4 ph
9	Thrust Washer	1	PEEK	PEEK	PEEK	PEEK
10	O-Ring	1	Viton	Viton	Viton	Teflon
11	Stem Packing	1	Graphite	Graphite	Graphite	Graphite
12	Packing Follower	1	304 SS	304 SS	304 SS	304 SS
13	Belleville Washer	1	304 SS	304 SS	304 SS	304 SS
14	Gland Flange	1	WCB	WCB	WCB	304 SS
15	Gland Bolt	2	Stainless Steel	Stainless Steel	Stainless Steel	Stainless Steel
16	Handle Nut	1	CS Coated	CS coated	CS Coated	304 SS
17	Handle	1	CS Coated	CS coated	CS Coated	304 SS

T3 NPT / NPT x SW / SW CLASS 1500 DIMENSIONS																						
Size		Bore	A		B (NPT)		B (NPTxSW)		B (SWxSW)		C		D		E		Weight (NPT)		Weight (NPTx-SW)		Weight (SW)	
in	mm	FP/ RP	in	mm	in	mm	in	mm	in	mm	in	mm	in	mm	in	mm	lbs.	kg.	lbs.	kg.	lbs.	kg.
1/4"	6.4	FP	0.50	12.7	3.86	98.0	4.44	112.5	5.00	127.0	3.26	82.8	6.50	165.1	0.87	22.0	3	1	3	1	4	2
3/8"	9.5	FP	0.50	12.7	3.86	98.0	4.44	112.5	5.00	127.0	3.26	82.8	6.50	165.1	0.87	22.0	3	1	3	1	4	2
1/2"	12.7	FP	0.50	12.7	3.86	98.0	4.44	112.5	5.00	127.0	3.26	82.8	6.50	165.1	0.87	22.0	3	1	3	1	4	2
3/4"	19.1	RP	0.50	12.7	4.37	111.0	5.57	141.5	6.75	172.0	3.26	82.8	6.50	165.1	0.87	22.0	4	2	4	2	7	3
		FP	0.75	19.0	4.25	107.9	5.50	140.0	6.75	172.0	3.67	93.2	8.46	214.9	1.18	30.0	6	3	5	2	7	3
1"	25.4	RP	0.75	19.0	4.50	114.3	5.63	143.0	6.75	172.0	3.67	93.2	8.46	214.9	1.18	30.0	6	3	7	3	8	4
		FP	1.00	25.4	5.25	133.3	6.00	152.5	6.75	172.0	3.93	99.8	8.46	214.9	1.58	40.0	9	4	9	5	10	5
1-1/4"	31.8	RP	1.00	19.0	6.43	163.3	7.46	190.0	8.50	217.0	3.93	99.8	8.46	214.9	1.58	40.0	10	4	12	6	14	7
		FP	1.50	25.4	6.26	159.0	7.38	188.0	8.50	217.0	5.30	134.6	10.00	254.0	1.58	40.0	18	8	19	9	20	9
1-1/2"	38.1	RP	1.00	19.0	6.43	163.3	7.46	190.0	8.50	217.0	3.93	99.8	8.46	214.9	1.58	40.0	11	5	12	5	14	6
		FP	1.50	25.4	6.26	159.0	7.38	188.0	8.50	217.0	5.30	134.6	10.00	254.0	1.58	40.0	17	8	19	9	20	9
2"	50.8	RP	1.50	38.0	6.75	171.4	7.63	194.5	8.50	217.0	5.30	134.6	10.00	254.0	1.79	45.5	17	8	19	9	21	10
		FP	2.00	50.8	6.25	158.8	8.05	204.5	9.85	250.0	6.30	160.0	12.40	315.0	1.79	45.5	29	13	31	14	33	15
3"	76.2	RP	2.00	50.8	10.00	254.0	11.38	289.0	12.75	324.0	6.30	160.0	12.40	315.0	2.40	61.0	39	18	45	21	51	23

Dimensions +/- 0.059 in (+/- 1.5mm)

*2"-3" complete with PEEK in lieu of TFM